

Self Contained DC Speed control

- Reverse cycle (cooling and heating)
- Stainless steel drainpan
- High performance boxblower with 0-10V speed control
- Multiple air outlets
- Extremely quiet

Self-Contained package

The Clion-Marine Self-Contained package consists of the following items: Self Contained unit, Control box, Display kit

Control box

Complete plug and play control box with prewired 1,2 metre cable loom, connectors and two temperature sensors (air/defrost sensor). The boards are electrical protected with automatic fuse with a manual reset on the outside of the box.

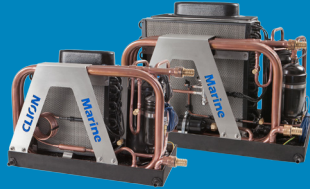
Display kit

Full color touch screen display compatible with Vimar bezels. The kit contains the following items: touch screen display, Vimar black bezel, RJ45 cable (10 metre)

	Self Contained		
	SC-N 11.0	SC-N 18.0	SC-N 28.0
Part number	CM0000113122	CM0000113128	CM0000113133
Capacity (BTU/h)	11.000	18.000	28.000
Capacity (kW)	3,2	5,2	8,2
Voltage	220V/50Hz/1F	220V/50Hz/1F	220V/50Hz/1F
Power consumption (A)	2,89	4,53	7,34
Weight	28,50	37,60	40,70
Airflow auto modus (m³/h)	280-400	480-650	620-800
Max airflow manual (m³/h)	600	900	900
Seawater connection	3/4" / 19mm	3/4" / 19mm	3/4" / 19mm
Return air face area (cm²)	704	1.148	1.407
Supply air face area (cm²)	352	574	704
Duct connection (inch/cm)	1x6" / 152	1x7" / 178	1x7" / 178
Dimensions (LxWxH)	490*262*329	571*318*381	571*318*381
Cable length control box	1,20m	1,20m	1,20m
Recommended fuse size	10A	10A	16A
Drain connection (mm)	12 (4x)	12 (4x)	12 (4x)
Sea waterflow (m³/h)	1,26	1,26	1,26

For complete operation selfcontained unit, control box and display kit are required!

Capacities are rated at an evaporating temperature of 7,2°C and a condensation temperature of 38°C



Self Contained 12/24VDC

- Inverter driven, no peakload at start-up
- Stainless steel drainpan
- High performance boxblower with 0-10V speed control
- Multiple air outlets

Self-Contained package

The Clion-Marine Self-Contained package consists of the following items: Self Contained unit, Control box, Display kit

Control box

Complete plug and play control box with prewired 1,2 metre cable loom, connectors and two temperature sensors (air/defrost sensor). The boards are electrical protected with automatic fuse with a manual reset on the outside of the box.

Display kit

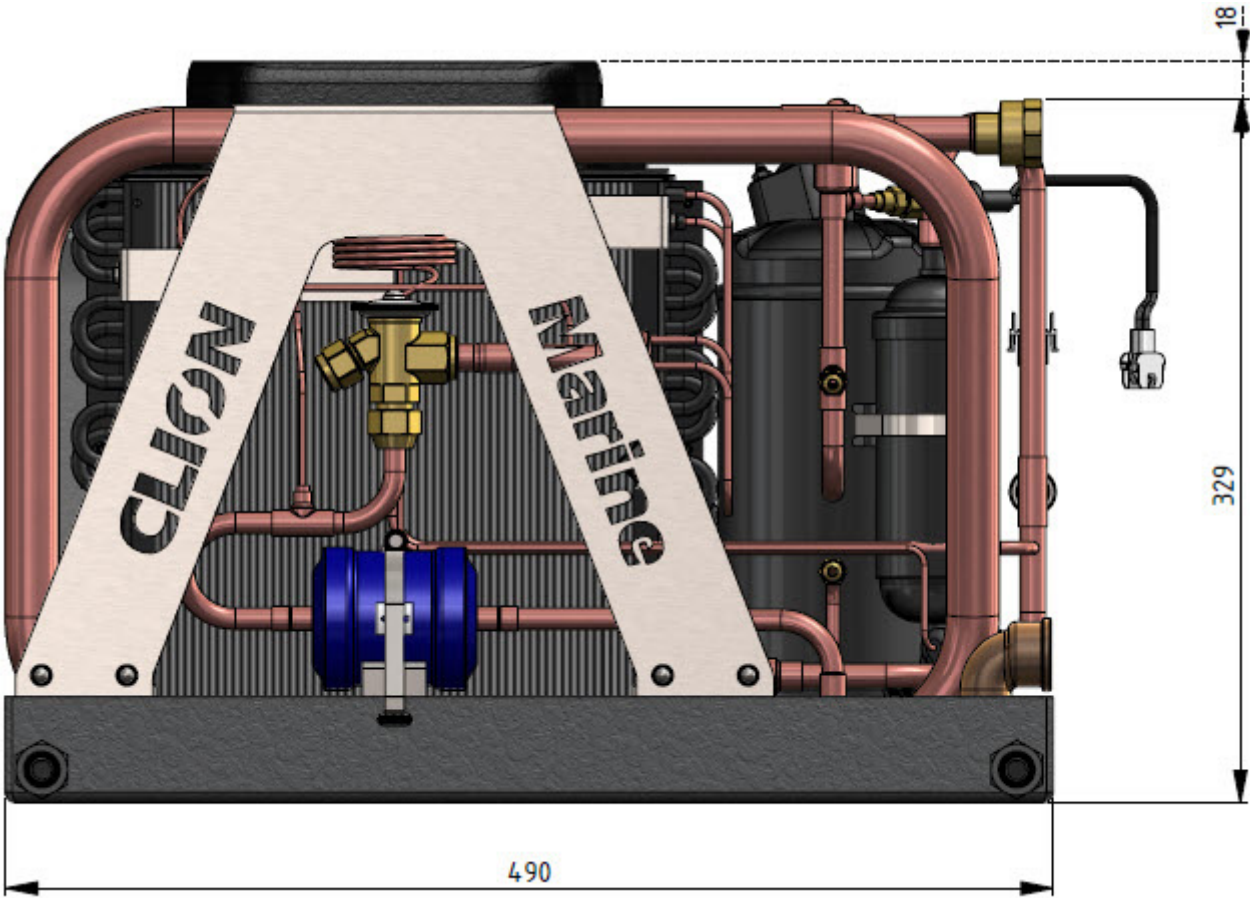
Full color touch screen display compatible with Vimar bezels. The kit contains the following items: touch screen display, Vimar black bezel, RJ45 cable (10 metre)

	Self Contained	
	SC-IN 5.0DC	SC-IN 9.0DC
Part number	CM0000115483	CM0000115528
Capacity (BTU/h)	5.000	9.000
Capacity (kW)	1,5	2,35
Voltage	9,5-16 VDC	21,5-31 VDC
Power consumption (A)	37	25
Weight (kg)	35	35
Airflow auto modus (m³/h)	280-400	280-400
Max airflow manual (m³/h)	500	500
Seawater connection	3/4" / 19mm	3/4" / 19mm
Return air face area (cm²)	704	704
Supply air face area (cm²)	352	352
Duct connection (inch/cm)	1x6" / 152	1x6" / 152
Dimensions (LxWxH)	510*290*329	510*290*329
Cable length control box	1,20m	1,20m
Recommended fuse size	50A	35A
Drain connection (mm)	12 (4x)	12 (4x)
Sea waterflow (m³/h)	0,8	0,8

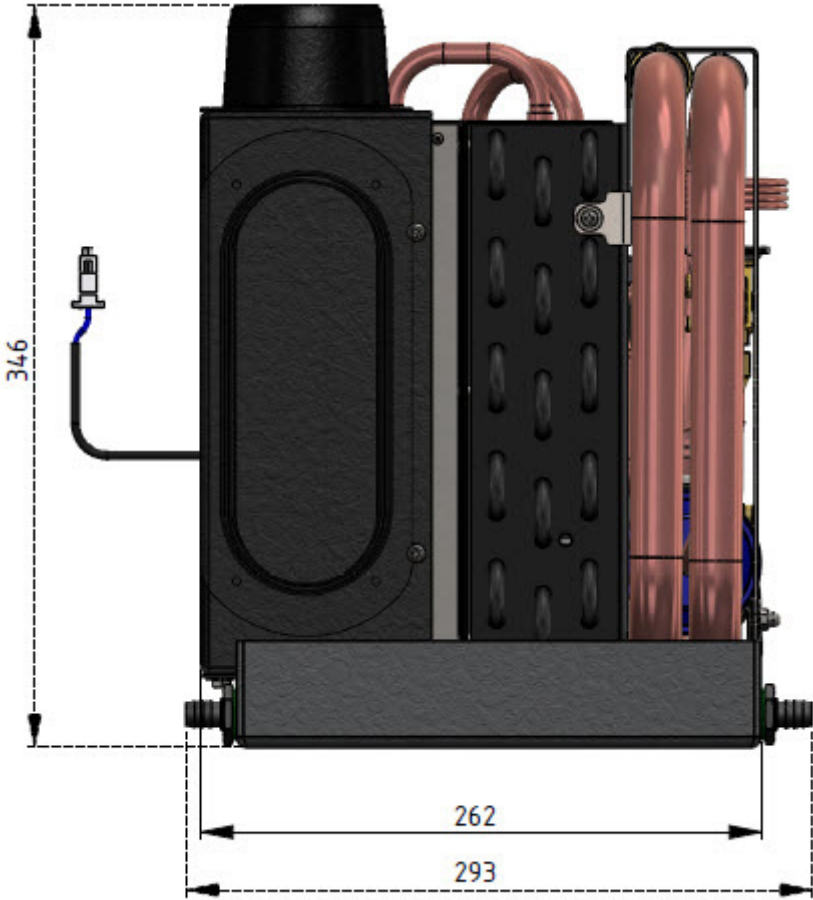
* Self-Contained kit includes a Clion-Marine self contained unit, display and control box.

Capacities are rated at an evaporating temperature of 7,2°C and a condensation temperature of 38°C

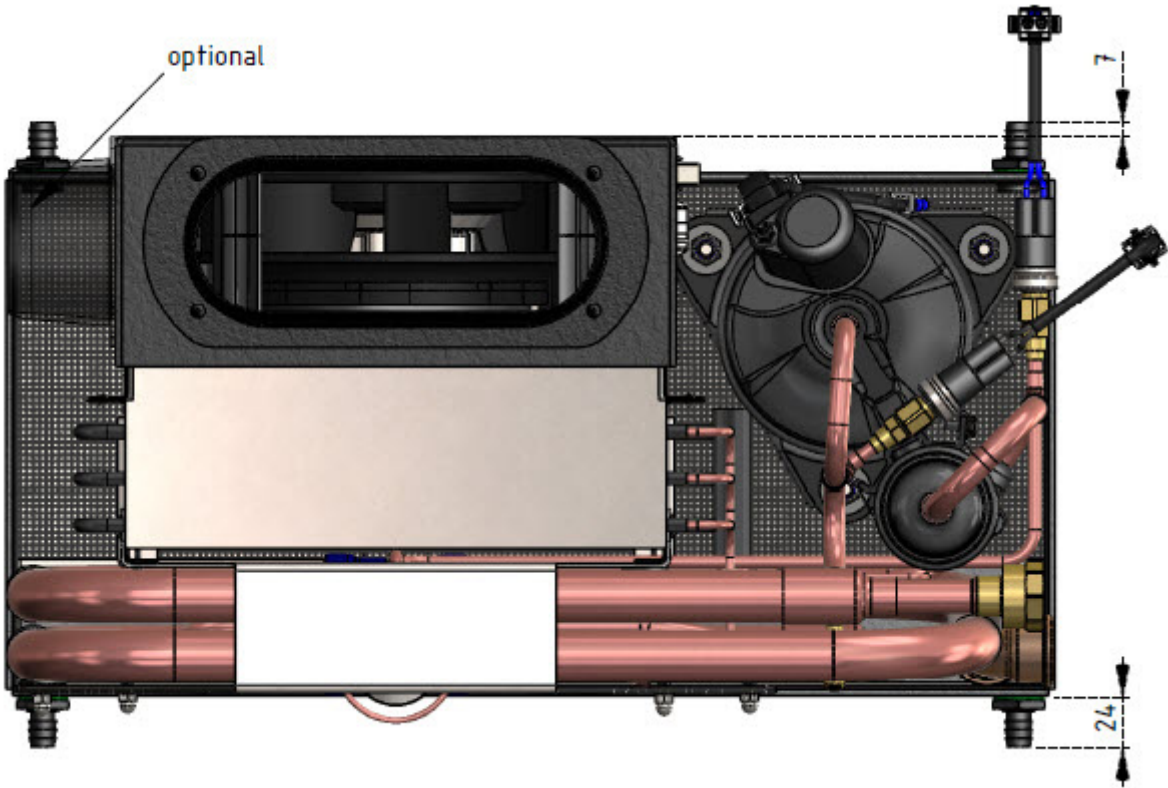
SC-N 11.0



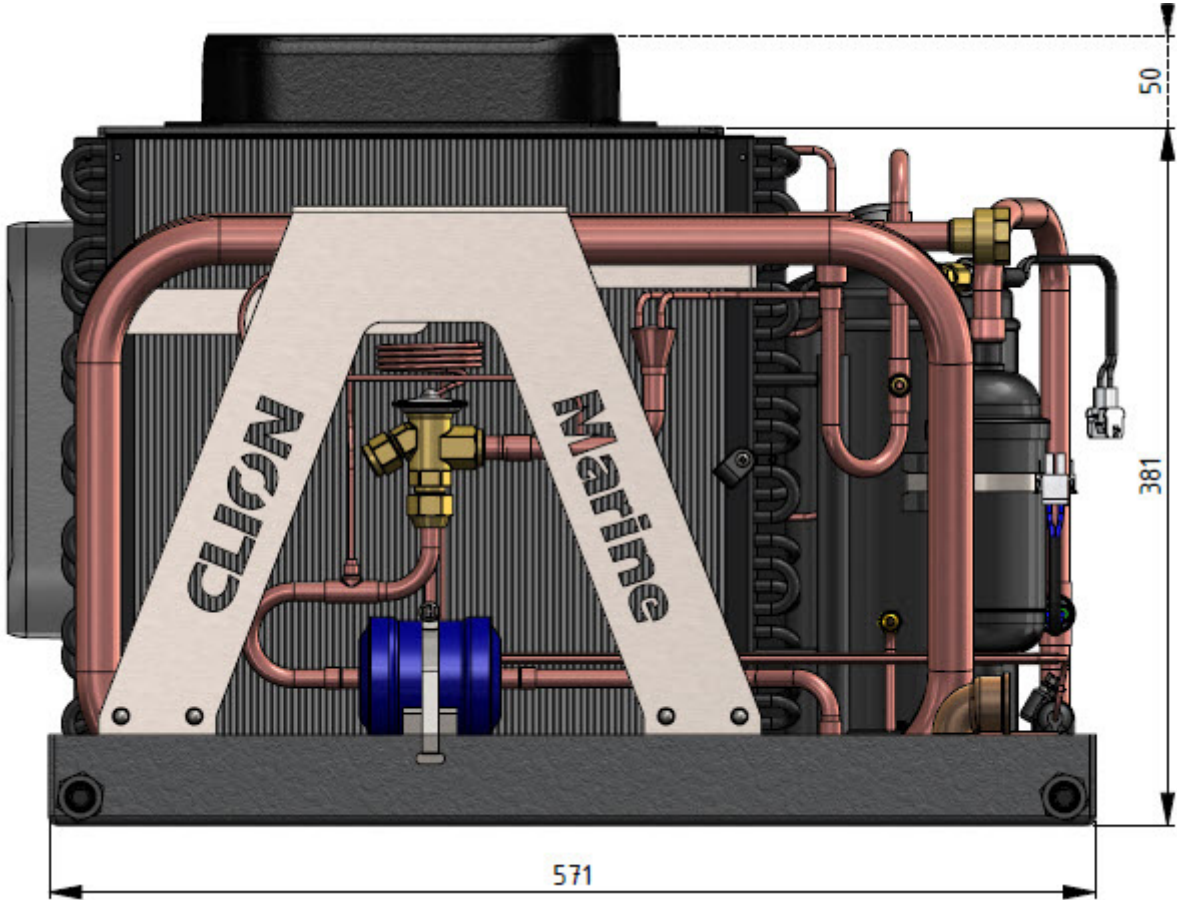
SC-N 11.0



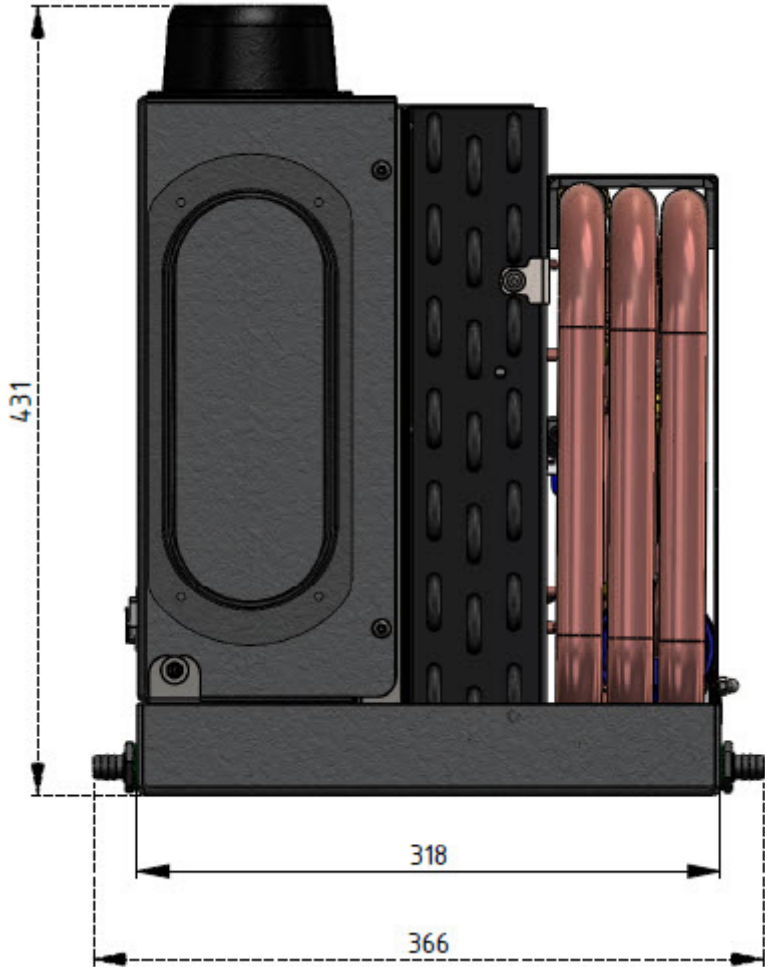
SC-N 11.0



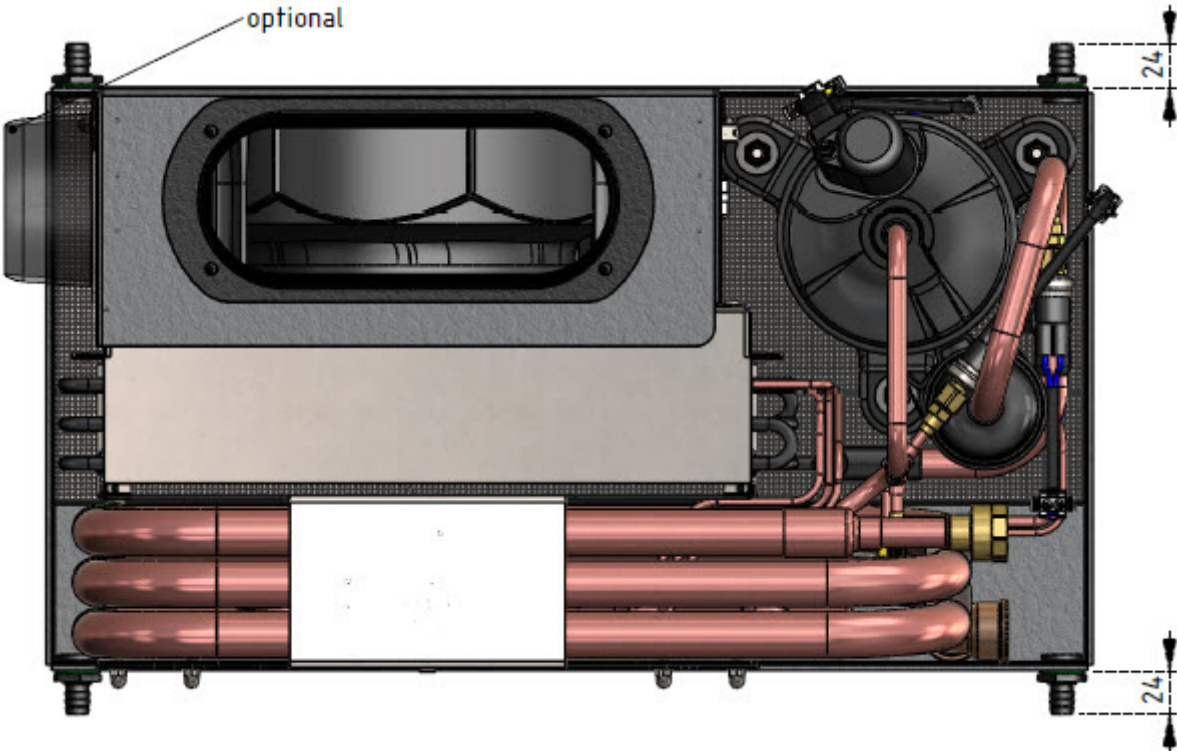
SC-N 18.0



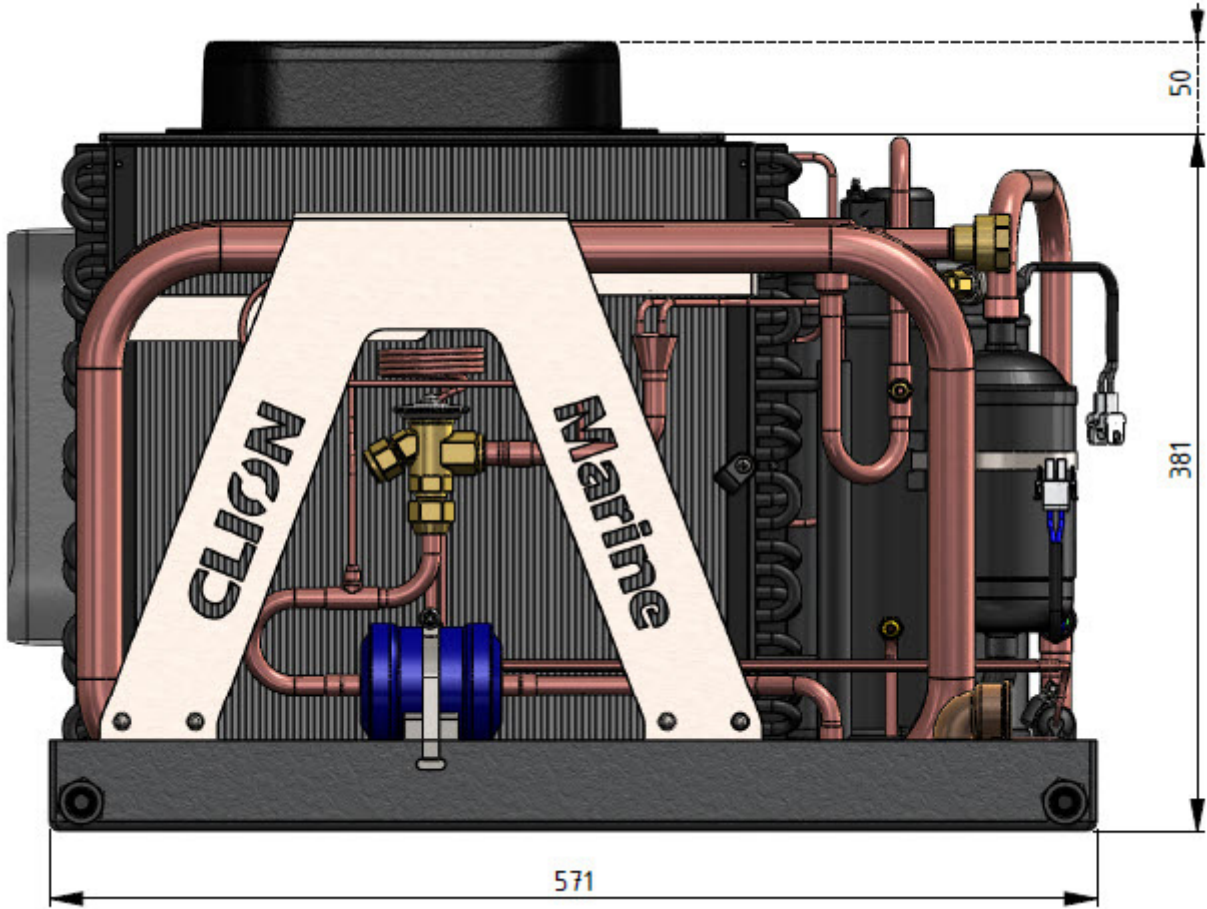
SC-N 18.0



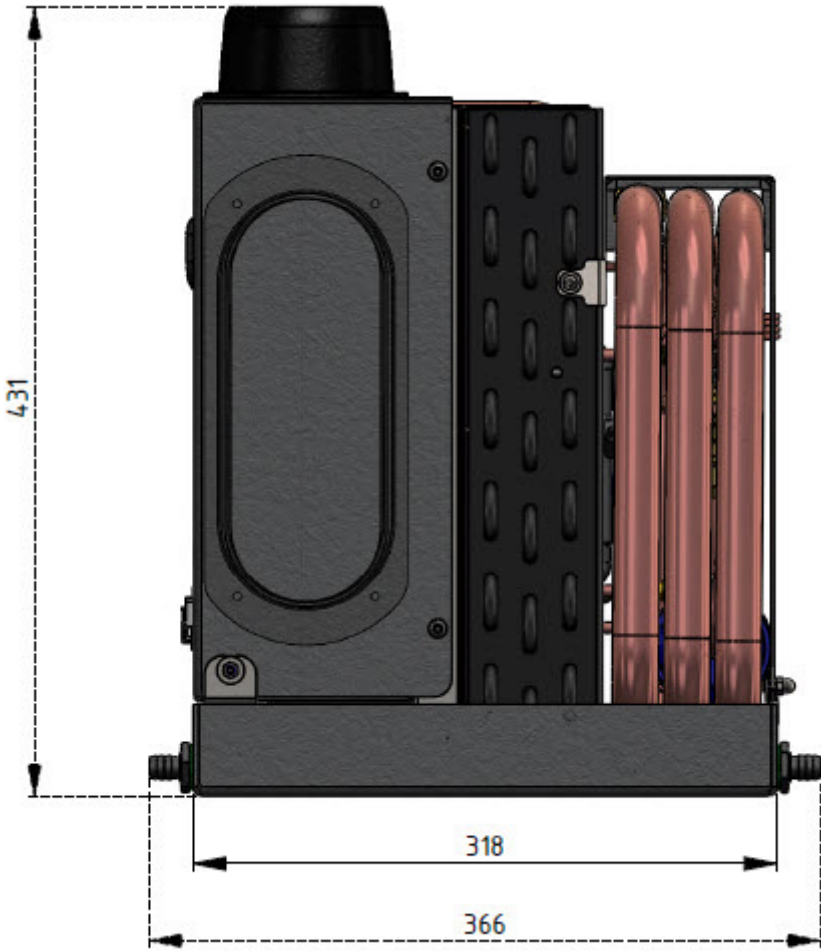
SC-N 18.0



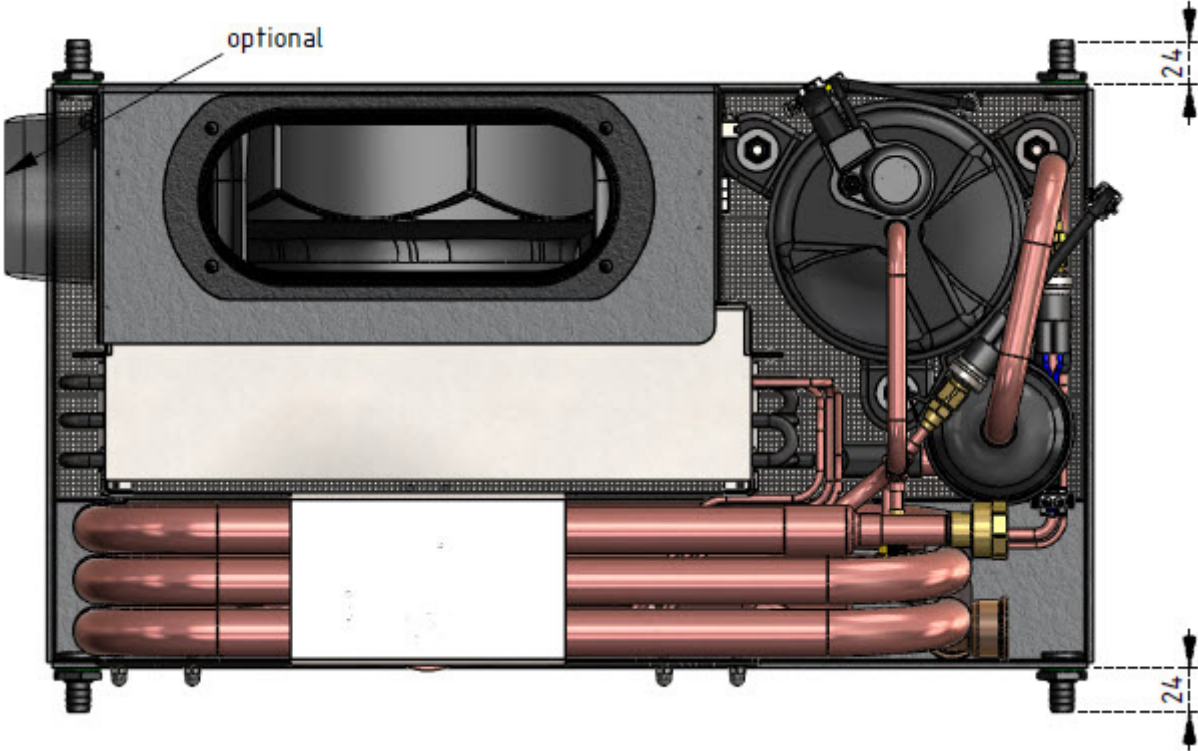
SC-N 28.0



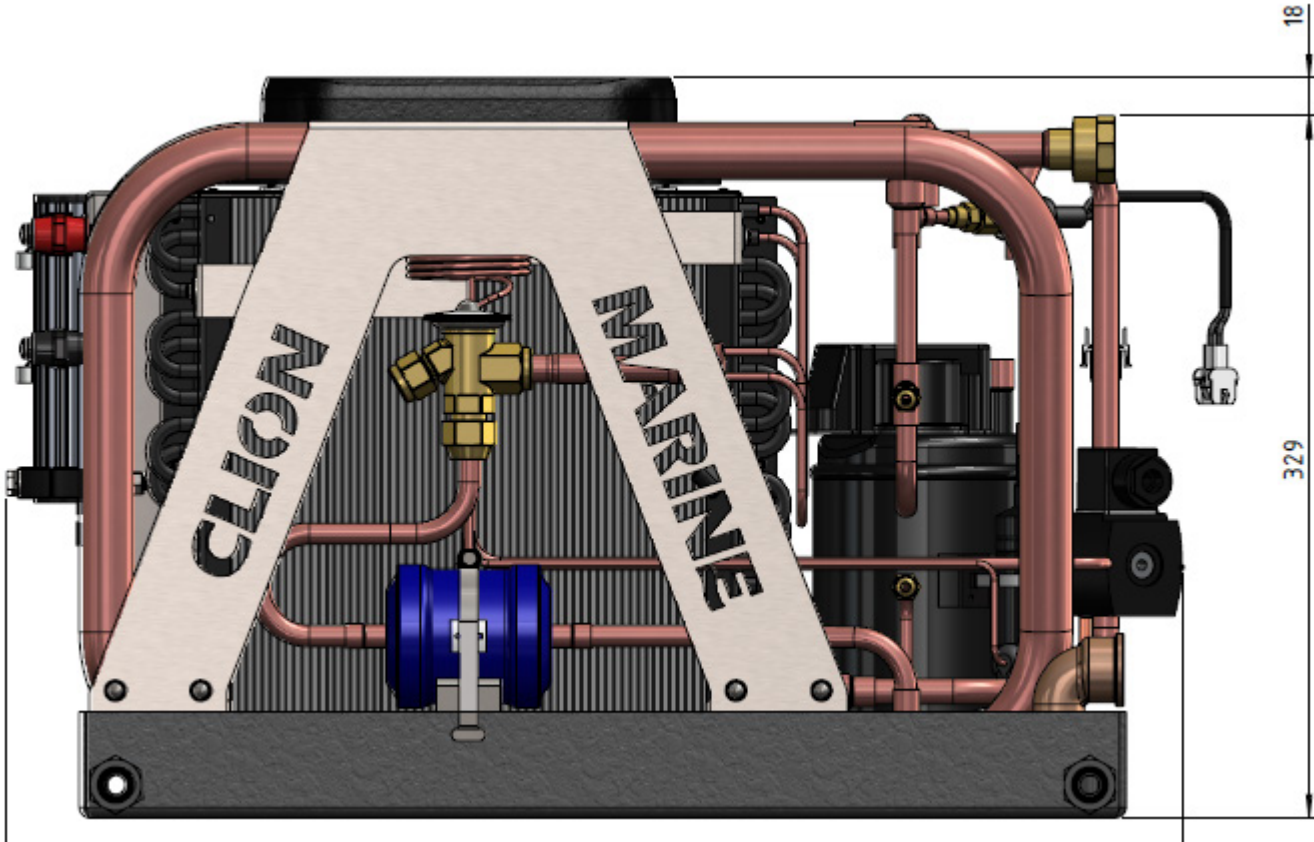
SC-N 28.0



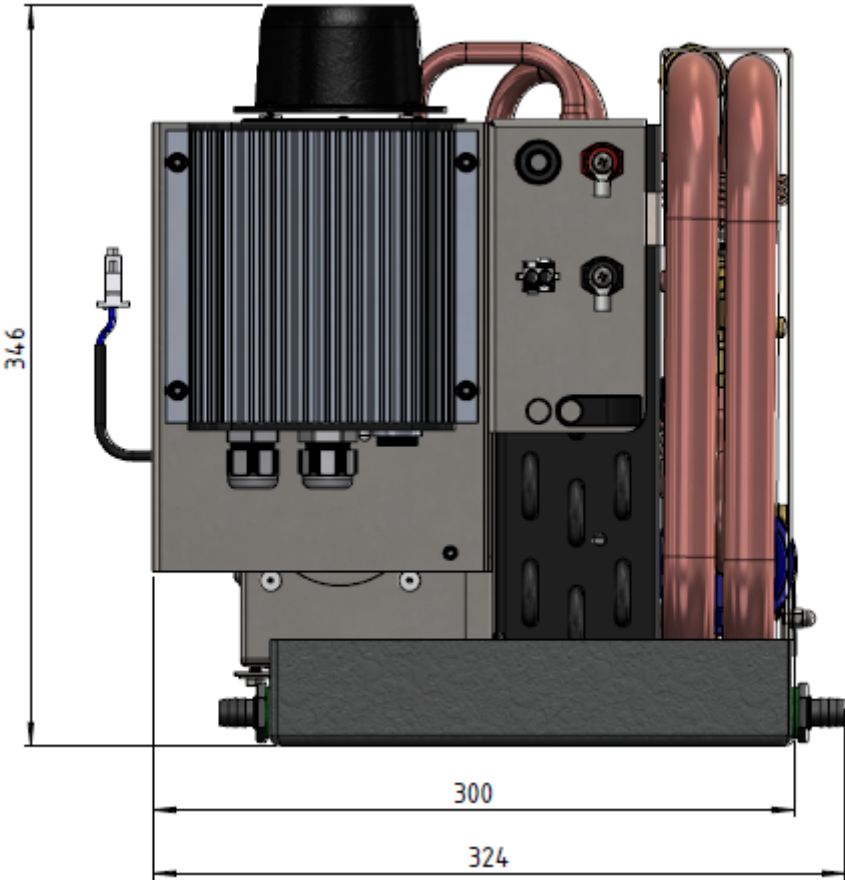
SC-N 28.0



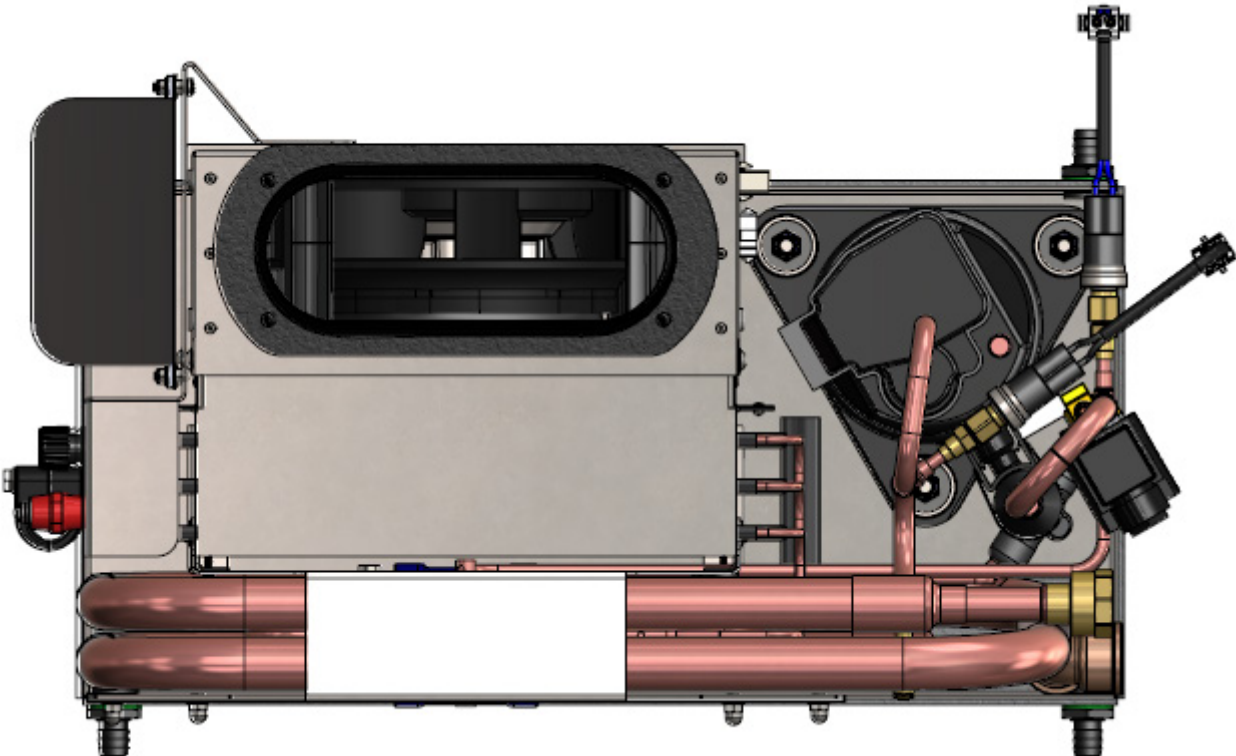
SC-IN 5.0 DC



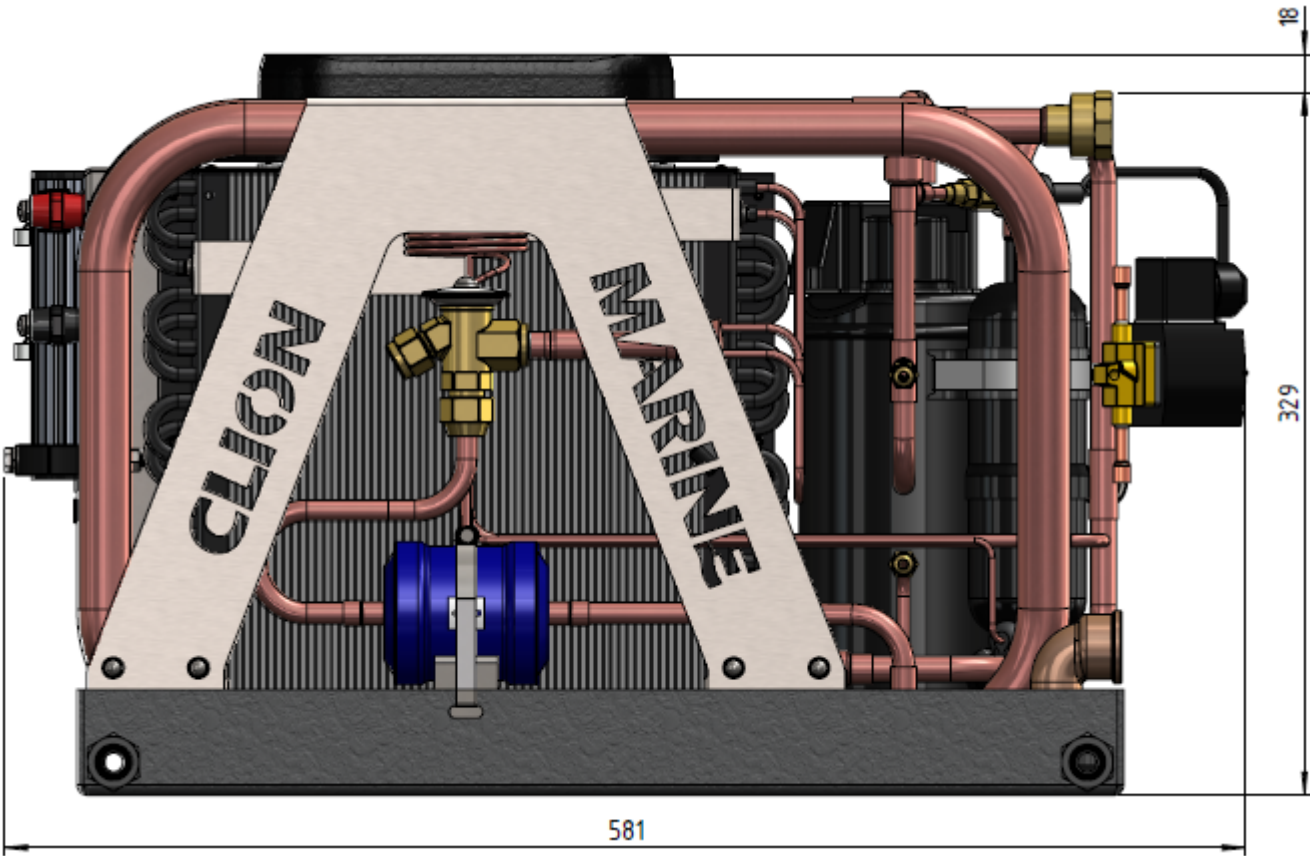
SC-IN 5.0 DC



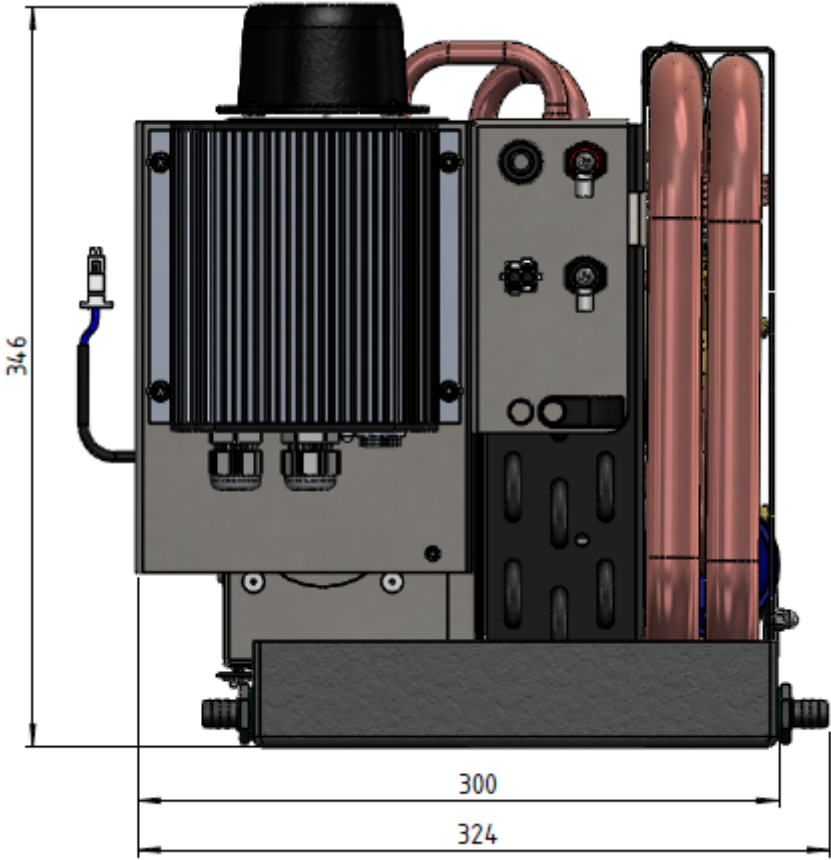
SC-IN 5.0 DC



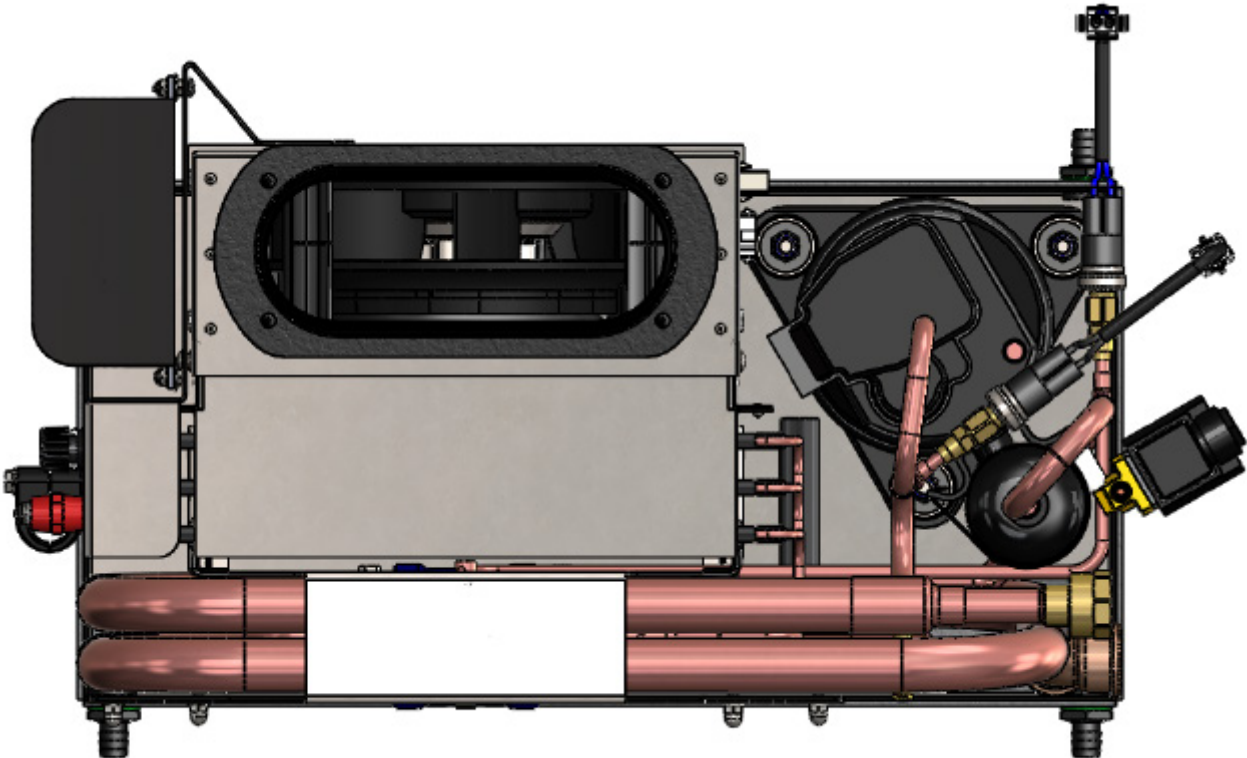
SC-IN 9.0 DC



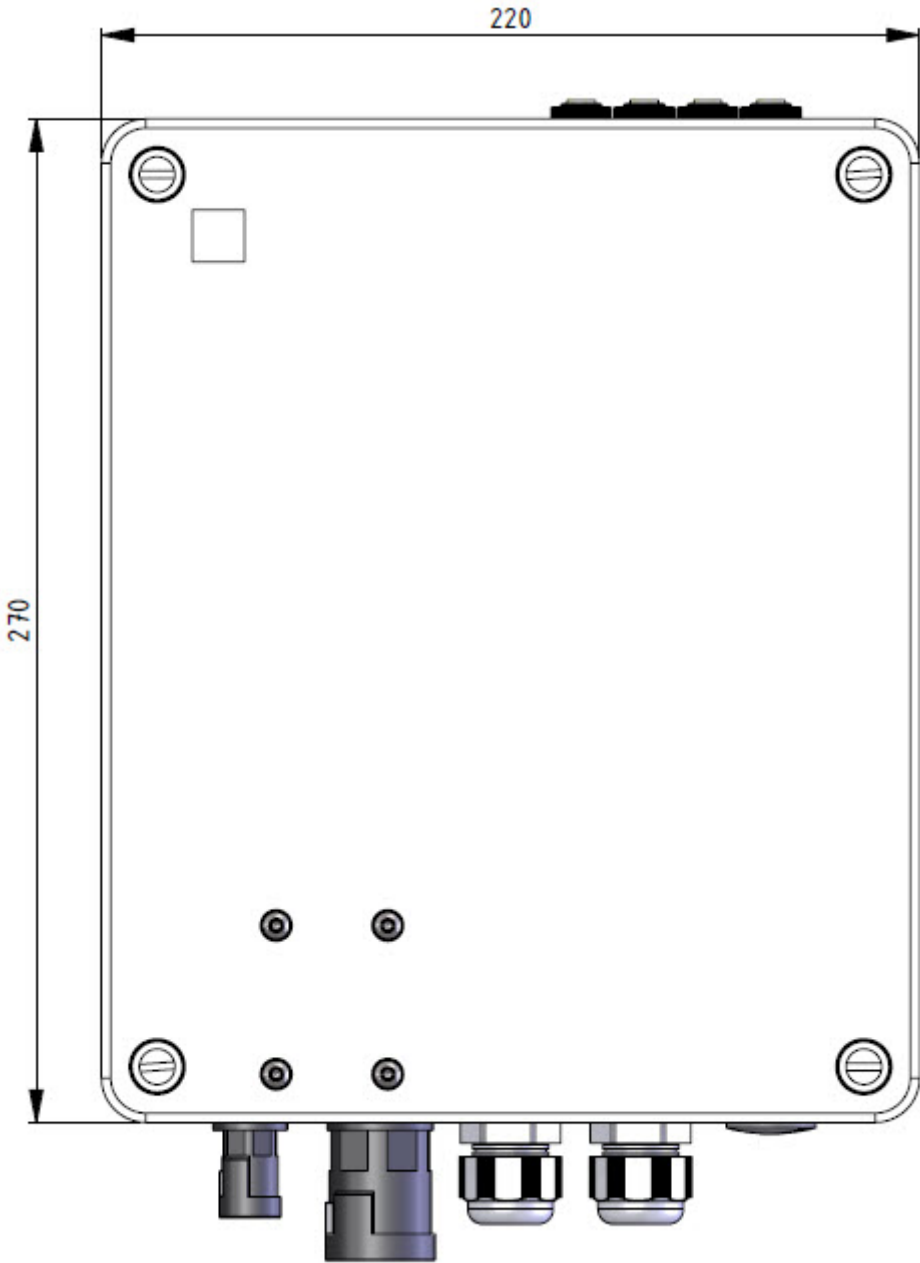
SC-IN 9.0 DC



SC-IN 9.0 DC



Control box SC



Control box SC

